



PaxScan 1308DX imagers provide industry leading CBCT and Panoramic image quality for mid-size dental applications. Varian's amorphous silicon based detectors are the gold standard for CBCT in medical, dental and industrial applications.

Amorphous silicon brings key advantages unmatched by other technologies, including:

- radiation hardness > 1MRad
- widest input energy range
- immunity from single photon events in the substrate
- excellent low dose performance
- proven 3-D soft-tissue capability

Varian's extensive dental product line allows the OEM to easily integrate multiple panel sizes. The Virtual CP software interface is common across all the panels and the entire product line is offered with Gigabit Ethernet. The 1308DX field of view (FOV) can be located center, left or right justified within the area of the 1313DX FOV.

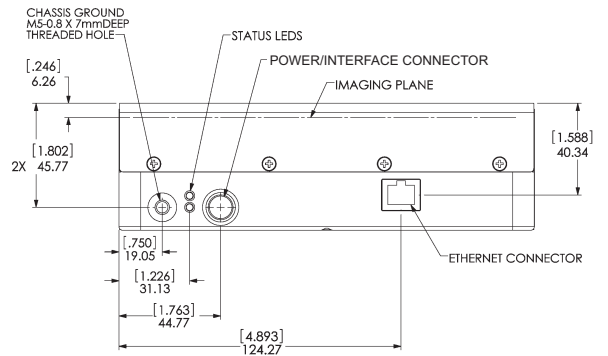
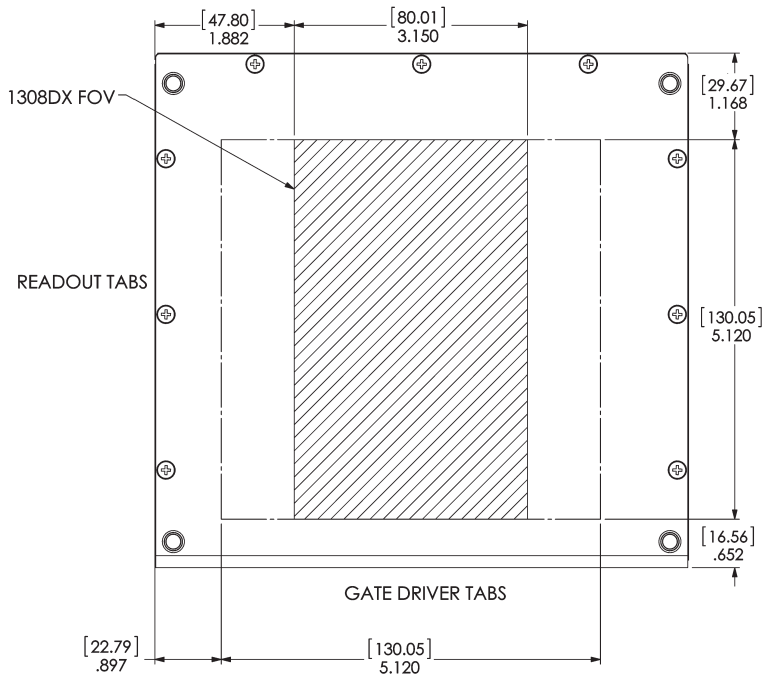
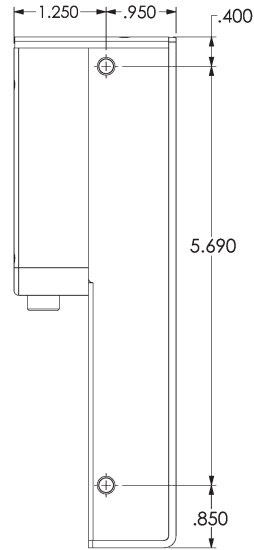
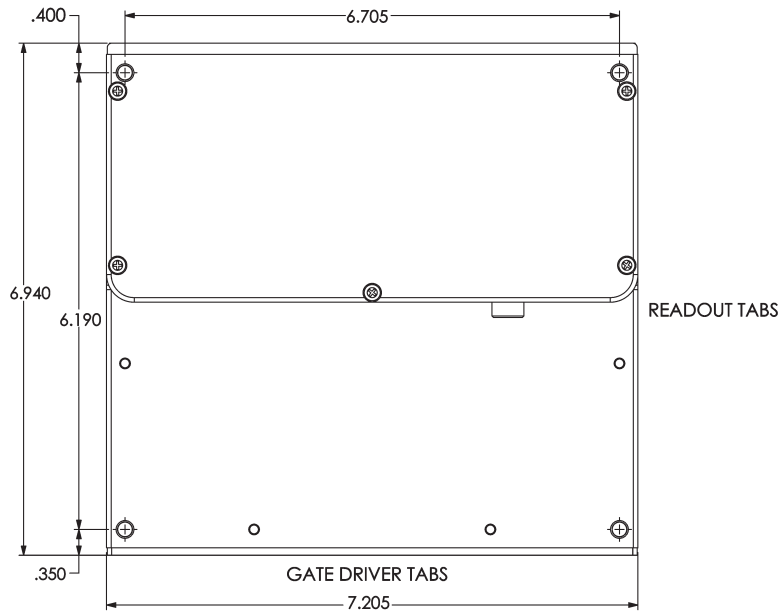
Technical Specifications

Receptor Type	Amorphous Silicon	Software	
Conversion Screen	Direct Deposit CsI, DRZ Plus	The software release includes ViVA™, a basic application for image acquisition and viewing on an end-user workstation running Microsoft® Windows™. The developer's software package includes a "Virtual Command Processor" software interface that performs detector calibration, detector set-up, image acquisition, and image corrections. ViVA™ includes file type translators for .viv, .raw, .jpg, and .bmp file formats.	
Pixel Area Total	13.0 x 8.13 cm (5.12 x 3.20 in.)	Temperature Range - Operating	10°C to 35°C (max.)
Pixel Matrix Total	1,024 x 640 (1 x 1) 512 x 320 (2 x 2)	(Ambient) - Storage	-20°C to +70°C
Pixel Pitch	127 μm ²	Humidity - Operating (non-condensing)	10 to 90%
Limiting Resolution	3.94 lp/mm	Storage (non-condensing)	10 to 90%
MTF, X-Ray	>48% @ 1 lp/mm (1 x 1), CsI screen	Atmospheric Pressure - Operating	70 kPa to 106 kPa
Energy Range	40 - 160 kVp	Storage	70 kPa to 106 kPa
Fill Factor	57%	Regulatory	
Image Capture	Pleora Gigabit	U.S.	UL 60601-1
Scan Method	Progressive	Canada	CSA 22.2 No. 601.1-M90
A/D Conversion	16-bits	Mechanical	
Frame Rate	45 fps (1 x 1) 85 fps (2 x 2)	Weight	3.76 lbs. (1.71 kg)
Data Output	Gigabit Ethernet	Housing Material	Aluminum
Exposure Control	Opto Coupled, External Sync, Expose OK	Sensor Protection Material	Carbon fiber plate (2.5 mm thick) and aluminum
Power			
Power Dissipation	12 Watts nominal power consumption 11 to 35V input range, 15 V typical		
Power Supply/Mains	100 - 240 VAC, 47 - 63 Hz		

®PaxScan is a Registered Trademarks of Varian Medical Systems

Dimensions are for reference only

Dimension are in mm



NOTE: As with all Varian Amorphous Silicon Image Receptors, the PaxScan 1308DX is designed to be integrated into a complete X-ray system by a qualified system integrator. The system integrator is responsible for obtaining FDA clearance for medical use.

Varian Medical Systems

1678 South Pioneer Road
Salt Lake City, Utah 84104

Phone: 801-972-5000

Fax: 801-973-5023

